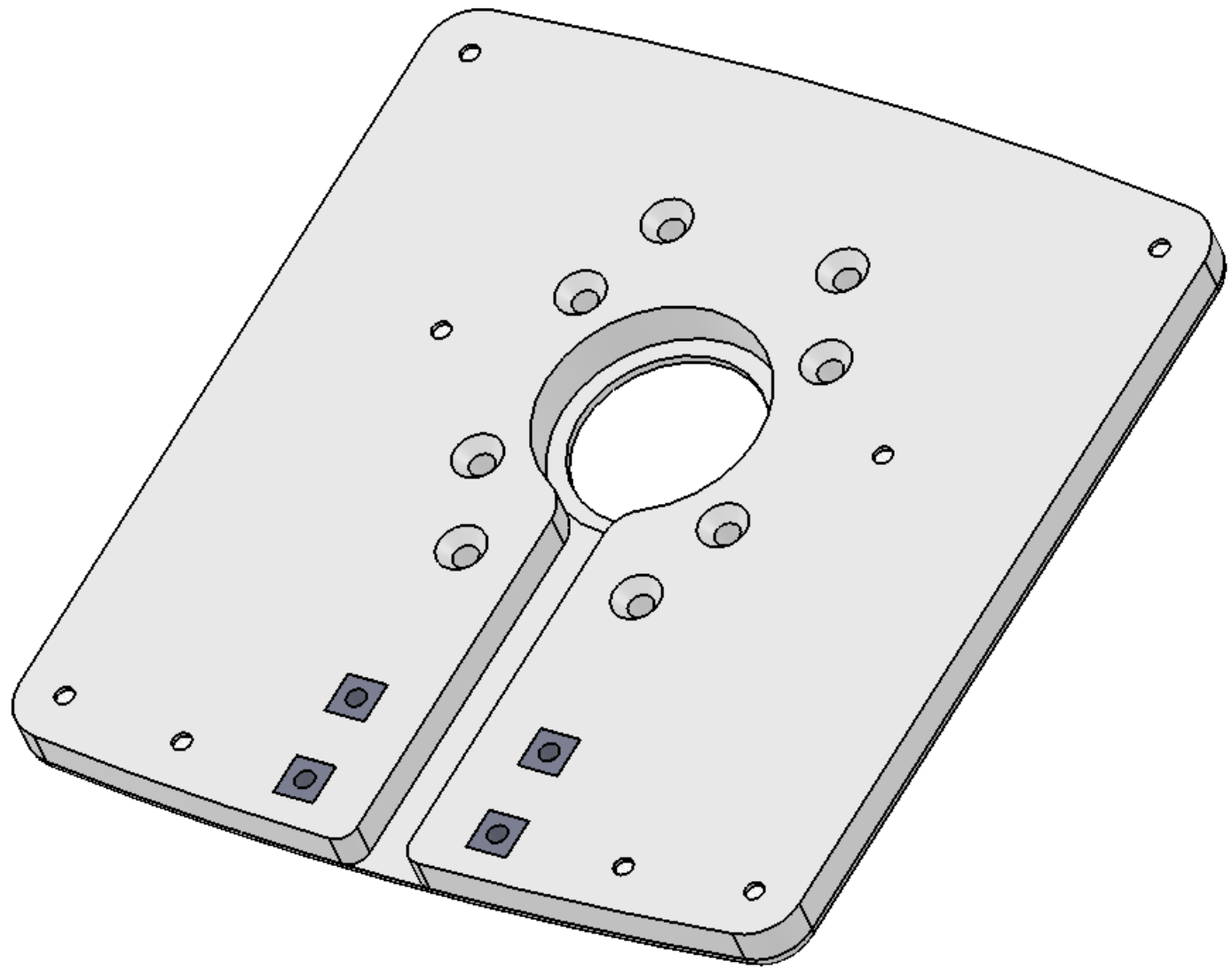
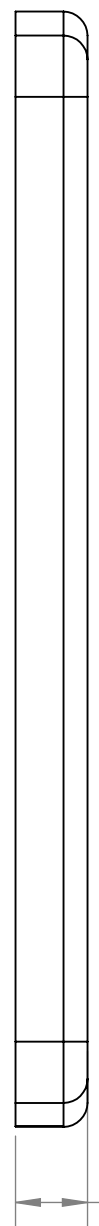
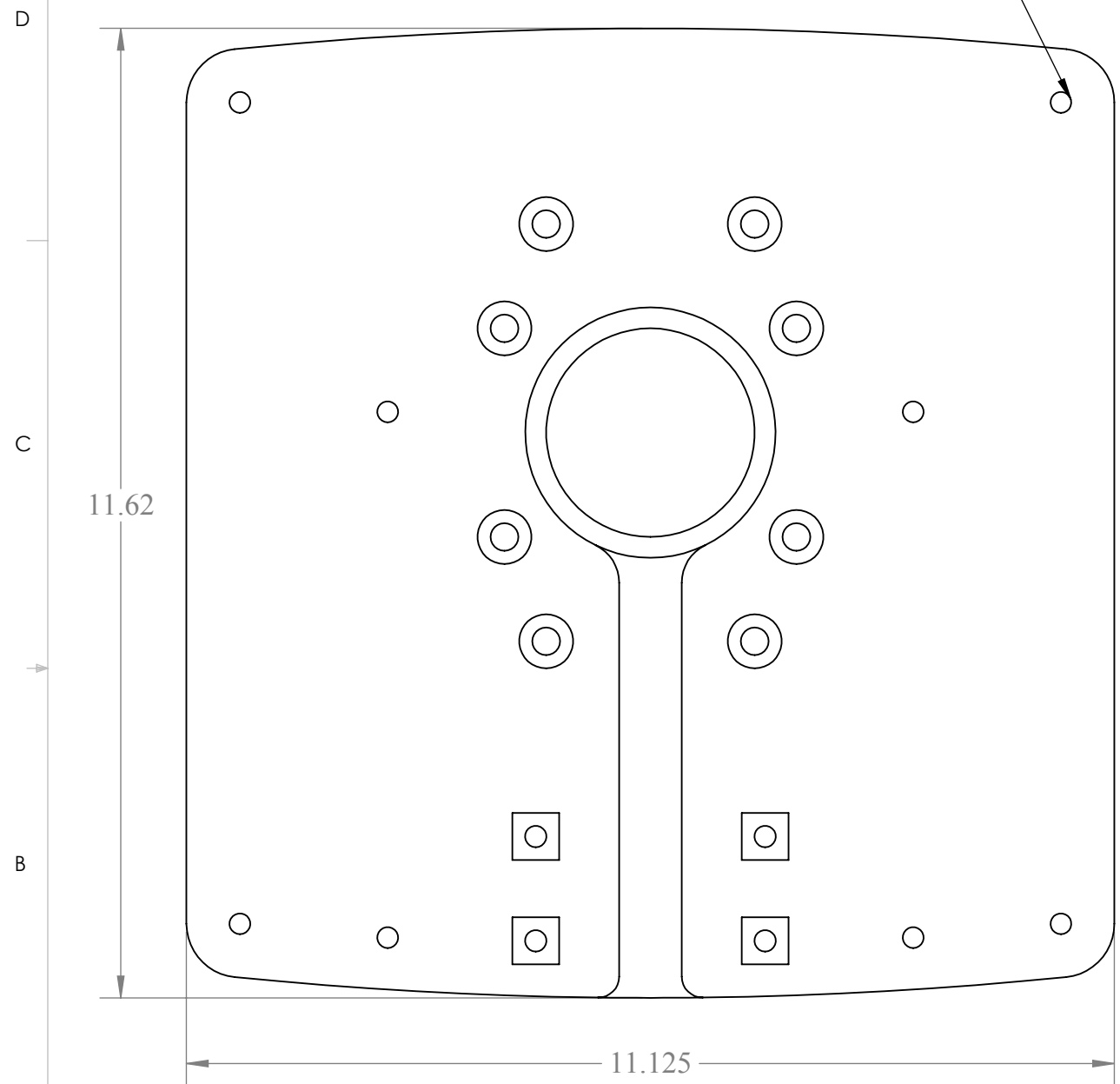


8 7 6 5 4 3 2 1

SEE DRILL TEMPLATE FOR CORRECT PATTERN



D
C
B
A

D
C
B
A

PROPRIETARY AND CONFIDENTIAL
 THE INFORMATION CONTAINED IN THIS DRAWING IS THE SOLE PROPERTY OF <INSERT COMPANY NAME HERE>. ANY REPRODUCTION IN PART OR AS A WHOLE WITHOUT THE WRITTEN PERMISSION OF <INSERT COMPANY NAME HERE> IS PROHIBITED.

		UNLESS OTHERWISE SPECIFIED:		NAME	DATE
		DIMENSIONS ARE IN INCHES		DRAWN	J.BLACK 06-20-10
		TOLERANCES:		CHECKED	
		FRACTIONAL ±		ENG APPR.	
		ANGULAR: MACH ± BEND ±		MFG APPR.	
		TWO PLACE DECIMAL ±.01		Q.A.	
		THREE PLACE DECIMAL ±.003		COMMENTS:	
		INTERPRET GEOMETRIC TOLERANCING PER:			
		MATERIAL			
NEXT ASSY	USED ON	FINISH			
APPLICATION		DO NOT SCALE DRAWING			
TITLE:			ADA-R2		
SIZE	DWG. NO.	REV			
B					
SCALE: 1:2	WEIGHT:	SHEET 1 OF 1			

8 7 6 5 4 3 2 1